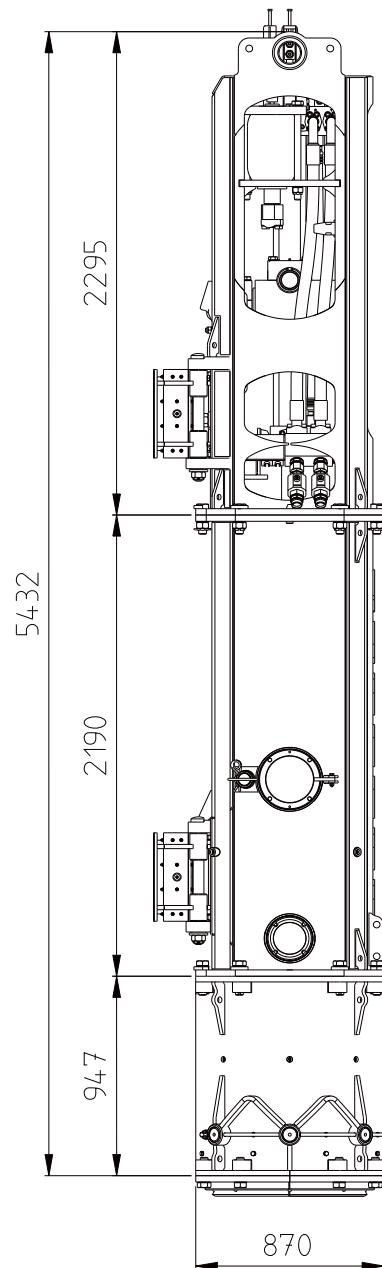
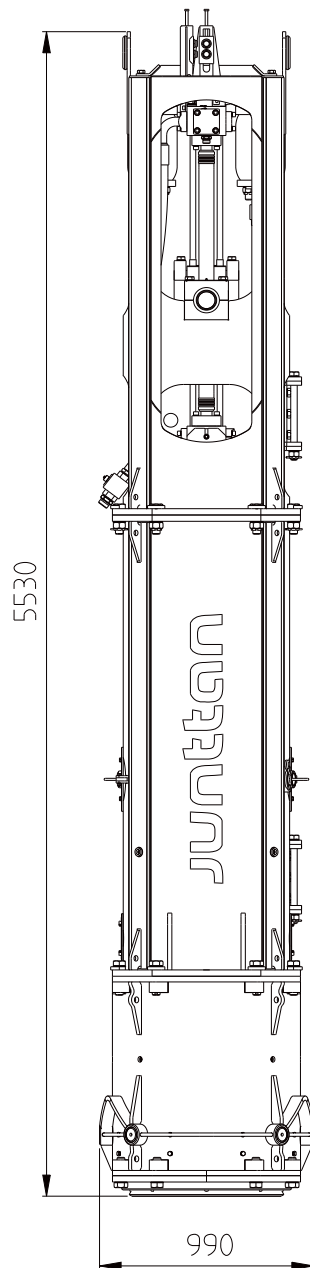


Hydraulic Impact Hammer

SHK100 - 3

SHK100-3/4
SHK100-3/4/5
SHK100-3/5
SHK100-3/4/5/6



JUNTTAN SHK100 - 3

Max. energy		36 kNm	26 907 ft-lb
Max drop height		1,2 m	3.94 ft
Blows per minute		60 - 140 +	60 - 140 +
Ram weight		3 000 kg	6 614 lb
Total weight			
	including noise insulation	6 920 kg	15 256 lb
	without noise insulation	6 560 kg	14 462 lb
Oil flow		392 l/min	104 gpm
Operating pressure		146 bar	2 118 psi
Theoretical power output		95 kW	130 hp
Hoses			
	- pressure line	38 mm	1 ½ inch
	- return line	38 mm	1 ½ inch
Drive cap housing (std)	Ø:	800 mm	31.5 inch
Drive cap types	A-type:	for metal tubes	for metal tubes
	B-type:	for concrete piles	for concrete piles
Drive cap max. inner diameter	A-type:	Ø 770 mm	23.6 inch
	B-type:	□ 470 x 470	18.5 x 18.5
Larger drive cap diameters available on special request			
Suitable Piling Rigs		PMx20, PMx22, PMx24, PM23	PMx20, PMx22, PMx24, PM23
Suitable Powerpacks		10 XCU, 15 CCU - 30 CCU	10 XCU, 15 CCU - 30 CCU

Accessories

* Guide claws			* Lifting cat
* Extensions			* Flying leader
* Energy measurement device			* Additional noise insulation package
* Additional drive caps			* Powerpacks
* Pile sleeves			

Technical details with extensions

JUNTTAN SHK100 - 3/4-6	4T	5T	6T	4T	5T	6T
Max. energy	47 kNm	61 kNm	73 kNm	35 876 ft-lb	44 845 ft-lb	53 814 ft-lb
Max drop height	1,2 m	1,2 m	1,2 m	3.94 ft	3.94 ft	3.94 ft
Blows per minute	60 - 140 +	60 - 140 +	60 - 140 +	60 - 140 +	60 - 140 +	60 - 140 +
Ram weight	4 000 kg	5 000 kg	6 000 kg	8 818 lb	11 023 lb	13 228 lb
Total weight						
	including noise insulation	8 120 kg	9 250 kg	10 430 kg	17 902 lb	20 393 lb
	without noise insulation	7 760 kg	8 890 kg	10 070 kg	17 108 lb	19 599 lb
Oil flow	392 l/min	392 l/min	392 l/min	104 gpm	104 gpm	104 gpm
Operating pressure	194 bar	243 bar	292 bar	2 814 psi	3 524 psi	4 235 psi
Theoretical power output	127 kW	159 kW	191 kW	172 hp	216 hp	259 hp
Suitable Piling Rigs (PMx20, PMx22, PMx24, PM23)						
Suitable Powerpacks (10 XCU, 15 CCU - 30 CCU)						

Junttan

Junttan Oy
P.O. Box 1702 (Matkuksentie 7)
FI-70701 KUOPIO, Finland

Tel. +358 10 195 221
Fax +358 17 287 4411
junttan@junttan.com