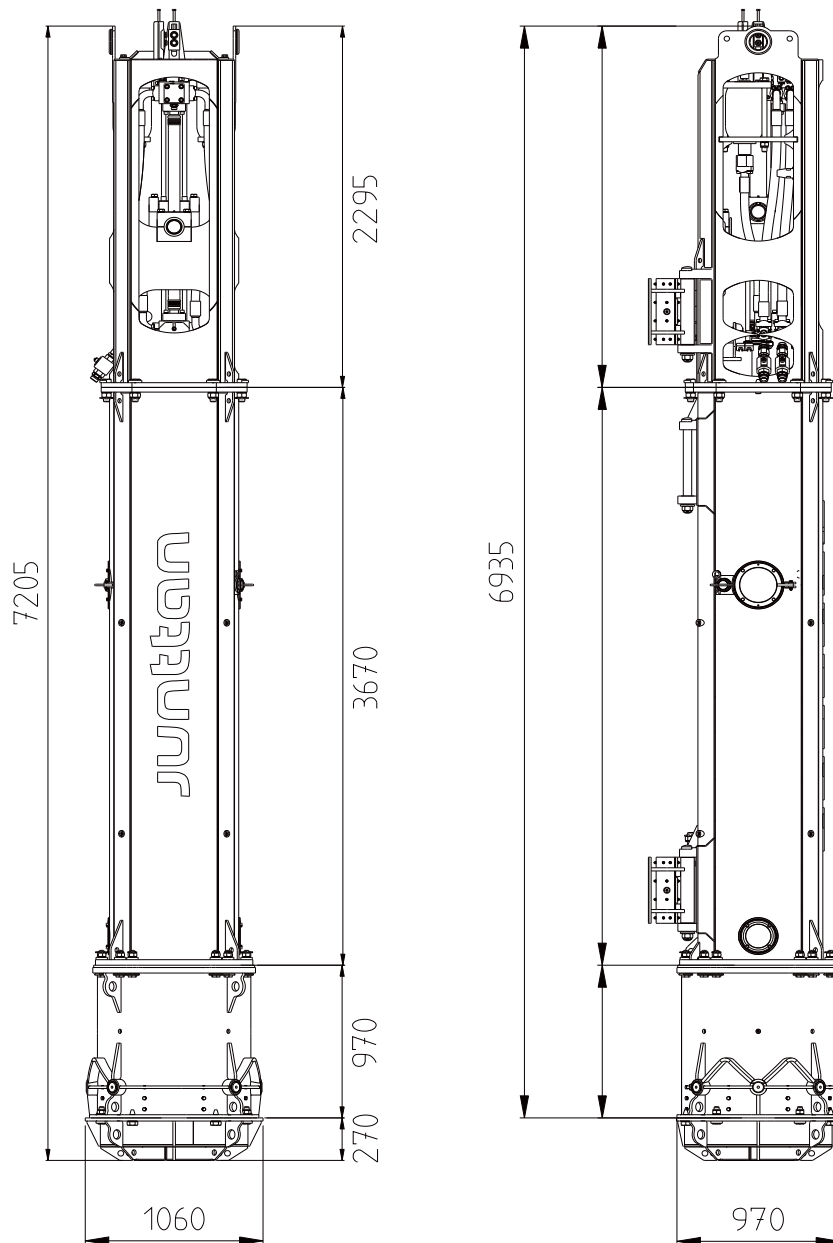


**Hydraulic Impact Hammer**

**SHK110-7**

SHK110-7/8

SHK110-7/9



## JUNTAN SHK110 - 7

Max. energy		100 kNm	73 921 ft-lb
Max drop height		1,2 m	3.94 ft
Blows per minute		50 - 120 +	50 - 120 +
Ram weight		7 000 kg	15 432 lb
Total weight			
	including noise insulation	11 730 kg	25 860 lb
	without noise insulation	11 510 kg	25 375 lb
Oil flow		469 l/min	124 gpm
Operating pressure		164 bar	2 379 psi
Theoretical power output		128 kW	174 hp
Hoses			
	- pressure line	38 mm	1 ½ inch
	- return line	38 mm	1 ½ inch
Drive cap housing (std)	Ø:	800 mm	31.5 inch
Drive cap types	A-type:	for metal tubes	for metal tubes
	B-type:	for concrete piles	for concrete piles
Drive cap max. inner diameter	A-type:	Ø 770 mm	23.6 inch
	B-type:	□ 470 x 470	18.5 x 18.5
Larger drive cap diameters available on special request			
Suitable Piling Rigs		PMx25, PM25H, PM26/28	PMx25, PM25H, PM26/28
Suitable Powerpacks		10 XCU, 15 CCU - 30 CCU	10 XCU, 15 CCU - 30 CCU

## Accessories

* Guide claws			* Lifting cat
* Extensions			* Flying leader
* Energy measurement device			* Additional noise insulation package
* Additional drive caps			* Powerpacks
* Pile sleeves			

## Technical details with extensions

JUNTAN SHK110 - 7/8-9	8T	9T	8T	9T
Max. energy	115 kNm	129 kNm	84 482 ft-lb	95 042 ft-lb
Max drop height	1,2 m	1,2 m	4.92 ft	4.92 ft
Blows per minute	50 - 120 +	50 - 120 +	50 - 120 +	50 - 120 +
Ram weight	8 000 kg	9 000 kg	17 654 lb	19 842 lb
Total weight				
	including noise insulation	13 100 kg	14 350 kg	28 881 lb
	without noise insulation	12 880 kg	14 030 kg	28 396 lb
Oil flow	469 l/min	469 l/min	124 gpm	124 gpm
Operating pressure	262 bar	295 bar	3 800 psi	4 279 psi
Theoretical power output	205 kW	231 kW	279 hp	314 hp
Suitable Piling Rigs	PM25H, PM26/28	PM25H, PM26/28	PM25H, PM26/28	PM25H, PM26/28
Suitable Powerpacks	10 XCU, 15 CCU - 30 CCU	10 XCU, 15 CCU - 30 CCU	10 XCU, 15 CCU - 30 CCU	10 XCU, 15 CCU - 30 CCU

**Junttan**

**Junttan Oy**  
P.O. Box 1702 (Matkuskentie 7)  
FI-70701 KUOPIO, Finland

Tel. +358 10 195 221  
Fax +358 17 287 4411  
junttan@junttan.com